



AGM Technology  
 ABT Etrek DM Series

**Complying standards:**

IEC 61982.3: 2001  
 IEC 61056.1/2: 2002

**6-DM-165**

12V165Ah(5hr)



ABT Etrek DM series is deep cycle battery with the capability of high output power, especially for EV use. As with all ABT batteries, all are rechargeable, highly efficient, leak proof and maintenance free.

**Mechanical Characteristics**

|                | SI Unit | EN Unit   |
|----------------|---------|-----------|
| Length         | 480mm   | 18.90inch |
| Width          | 170mm   | 6.69inch  |
| Height         | 235mm   | 9.25inch  |
| Total Height   | 235mm   | 9.25inch  |
| Approx. Weight | 52.0kg  | 114.4lbs  |

Type of material for container and lids:  
 ABS Standard (FV0 Optional)

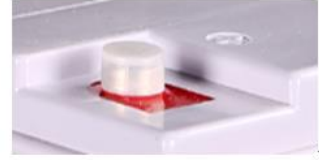
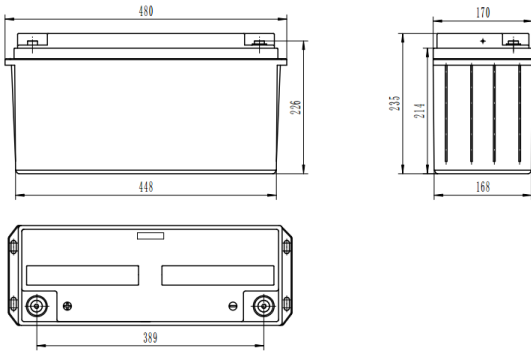
**Product Characteristics**

- Up to 700 cycles 80% DOD
- Good large current discharge performance
- High gas recombination efficiency
- Maximum charge efficiency
- Low self-discharge rate
- Easy installation and handling

**Performance Characteristics**

- Rated voltage: 12V (6 cells)
- Rated capacity at 68°F(20°C)
  - 5h rate (33.0A, 10.5V) 165Ah
  - 3h rate(50.0A, 10.5V) 150Ah
  - 1h rate(121.2A, 10.5V) 121.2Ah
- Internal resistance:
  - 3.8mΩ when fully charged at 68°F(20°C)
- Average self-discharge rate:
  - ≤3% per month 68°F(20°C)
- Maximum discharge current:
  - 1340A(10s) at 68°F(20°C)
- Working temperature range:
  - Discharge: -20~45°C
  - Charge: 5~35°C
  - Storage: 0~40°C
- Charging method:
  - with constant voltage at 68°F(20°C)
  - Maximum charge current: 25A
  - Temperature compensation: -18mV/°C/piece
  - Cycle use: 14.7 V/ piece
  - Standby use: 14.1 V/ piece

**Dimensions/Terminal**



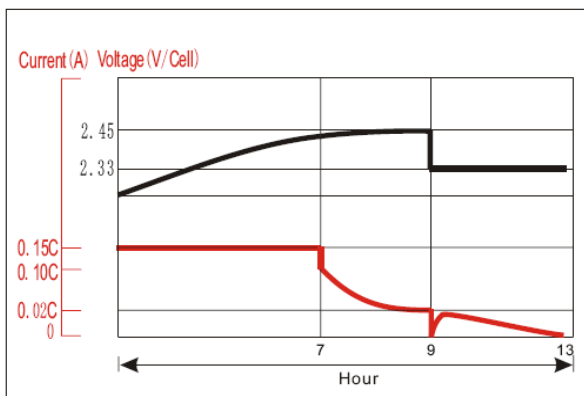
**Constant Current Discharge Data (Ampere at 20°C/68 °F)**

| End Volt | 10min | 20min | 30min | 45min | 1h    | 1.5h  | 2h    | 3h    | 5h    | 10h   | 20h   |
|----------|-------|-------|-------|-------|-------|-------|-------|-------|-------|-------|-------|
| 1.60     | 464.6 | 266.1 | 193.2 | 158.0 | 122.6 | 85.37 | 68.11 | 50.41 | 33.24 | 17.30 | 8.692 |
| 1.65     | 450.1 | 262.1 | 192.1 | 157.4 | 122.2 | 85.06 | 67.91 | 50.27 | 33.15 | 17.26 | 8.672 |
| 1.70     | 440.6 | 259.7 | 191.3 | 156.8 | 121.7 | 84.82 | 67.74 | 50.15 | 33.07 | 17.23 | 8.657 |
| 1.75     | 427.8 | 255.8 | 190.0 | 156.0 | 121.2 | 84.50 | 67.50 | 50.00 | 33.00 | 17.20 | 8.650 |
| 1.80     | 406.2 | 244.4 | 182.5 | 150.4 | 117.4 | 82.18 | 65.91 | 49.00 | 32.53 | 17.01 | 8.592 |

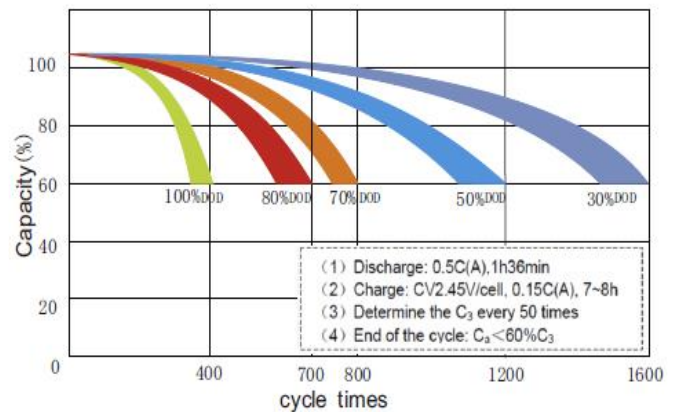
**Constant Power Discharge Data (Watts per cell at 20°C/68 °F)**

| End Volt | 10min | 20min | 30min | 45min | 1h    | 1.5h  | 2h     | 3h    | 5h    | 10h   | 20h   |
|----------|-------|-------|-------|-------|-------|-------|--------|-------|-------|-------|-------|
| 1.60     | 816.2 | 479.1 | 355.0 | 294.8 | 232.0 | 163.6 | 131.97 | 98.83 | 65.73 | 34.42 | 17.34 |
| 1.65     | 805.1 | 479.3 | 357.4 | 297.0 | 233.2 | 164.0 | 132.35 | 99.03 | 65.79 | 34.42 | 17.34 |
| 1.70     | 799.3 | 480.5 | 359.7 | 299.1 | 234.4 | 164.8 | 132.97 | 99.29 | 65.91 | 34.48 | 17.37 |
| 1.75     | 786.8 | 479.3 | 361.3 | 300.4 | 235.5 | 165.6 | 133.54 | 99.55 | 66.00 | 34.50 | 17.40 |
| 1.80     | 761.7 | 464.3 | 350.7 | 292.3 | 230.2 | 162.2 | 130.9  | 97.81 | 65.24 | 34.23 | 17.32 |

**Charge performance**



**Cycle life vs. discharge depth**



Contact information

Advanced Battery Technology BV  
 Add. New Yorkstraat 14 1175 RD Lijnden Amsterdam, Netherland  
 Web: <http://www.abtbatt.com> Email: sales@abtbatt.com

**ABT VRLA Battery: Available power range from 26Ah to 3000Ah.**

Copy right ABT BV,  
 all rights reserved.  
 (Edition: Feb.,2021)